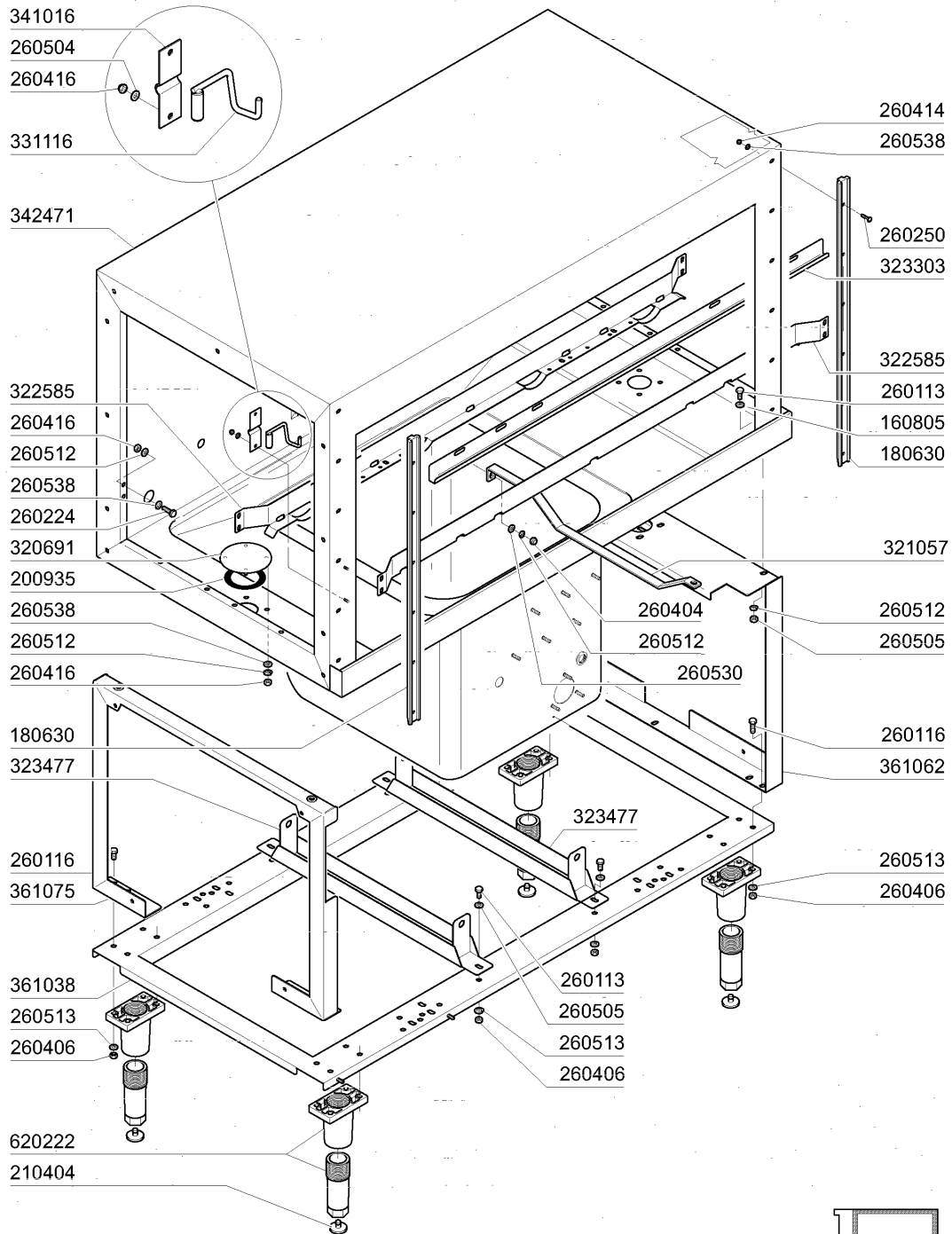


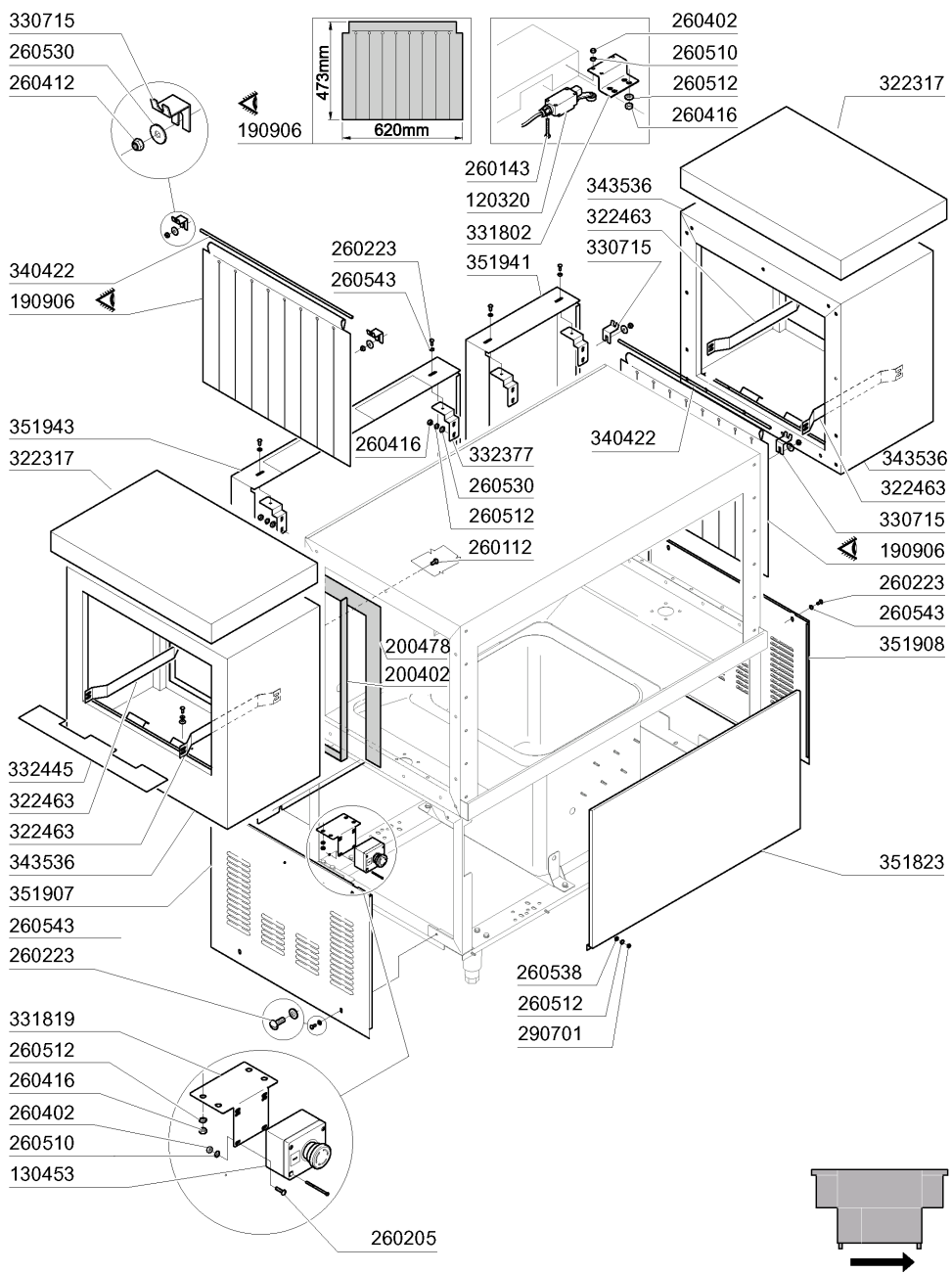
1 - Frame



01 - 2005 S. AG.

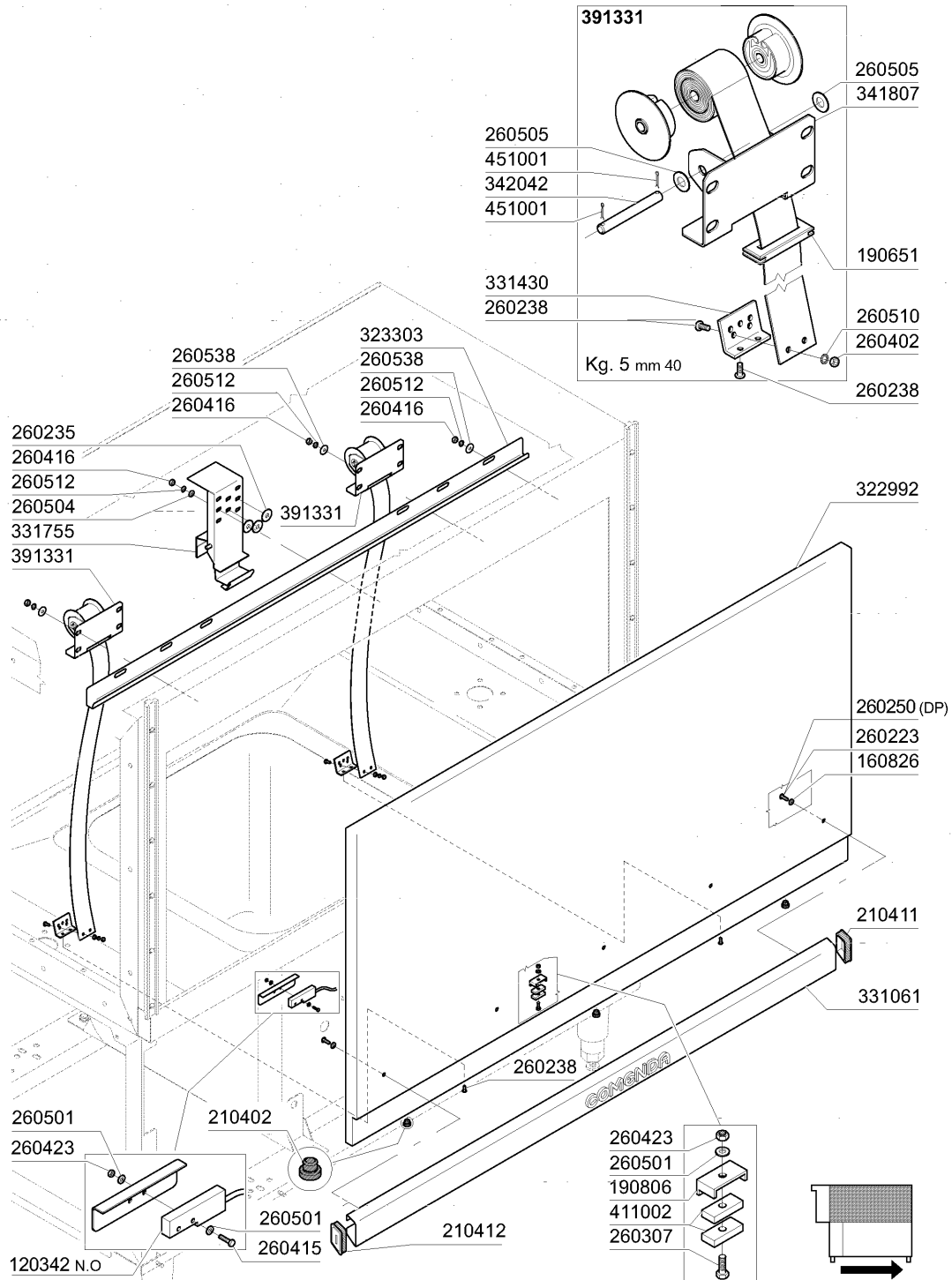
1 - Frame

CODE	DESCRIPTION
160805	GASKET D.8
180630	DOUBLE SKINNED DOOR RUNNER -AC
200935	GASKET
210404	BLACK RUBBER FOOT S90 NE SE
260113	STAINL.ST.TE SCREW 8X20 A2 UNI
260116	SCREW TE 8X35
260224	TB-SCREW 6X15 B23-10-11-12
260250	SCREW TB 5X20
260404	STAINLESS STEEL NUTS D6 UNI 55
260406	NUT 8MA
260414	SELF-LOCKING NUT M5
260416	STAINLESS STEEL NUTS M6
260504	ST/ST FLAT WASHER D6
260505	STAINL.STEEL FLAT WASHER D8
260512	ST/ST GROWER WASHER D6
260513	GROWER WASHER D8
260530	STAINL.ST WASHER 7X22X2
260538	WASHER 18X6X1,5 ST/ST
320691	PLATE
321057	LOWER WASH ARM SUPPORT
322585	GUIDE 1300
323303	BRACKET FOR DOOR 1300
323477	TRAVERSA SOST.VASCHE AC/ACR
331116	DOOR SECURITY HOOK
341016	BRAKET FOR DOOR SECURITY HOOK
342471	CAPOT 1300 PER AC ANNO 2001
361038	CHASSIS FOR AC
361062	TRAVERSA TELAIO MOTORID AC2001
361075	TELAIO SOST.CAPOT1300 AC2001
620222	COMPLETE ALUMINIUM LEGS



2 - Hood

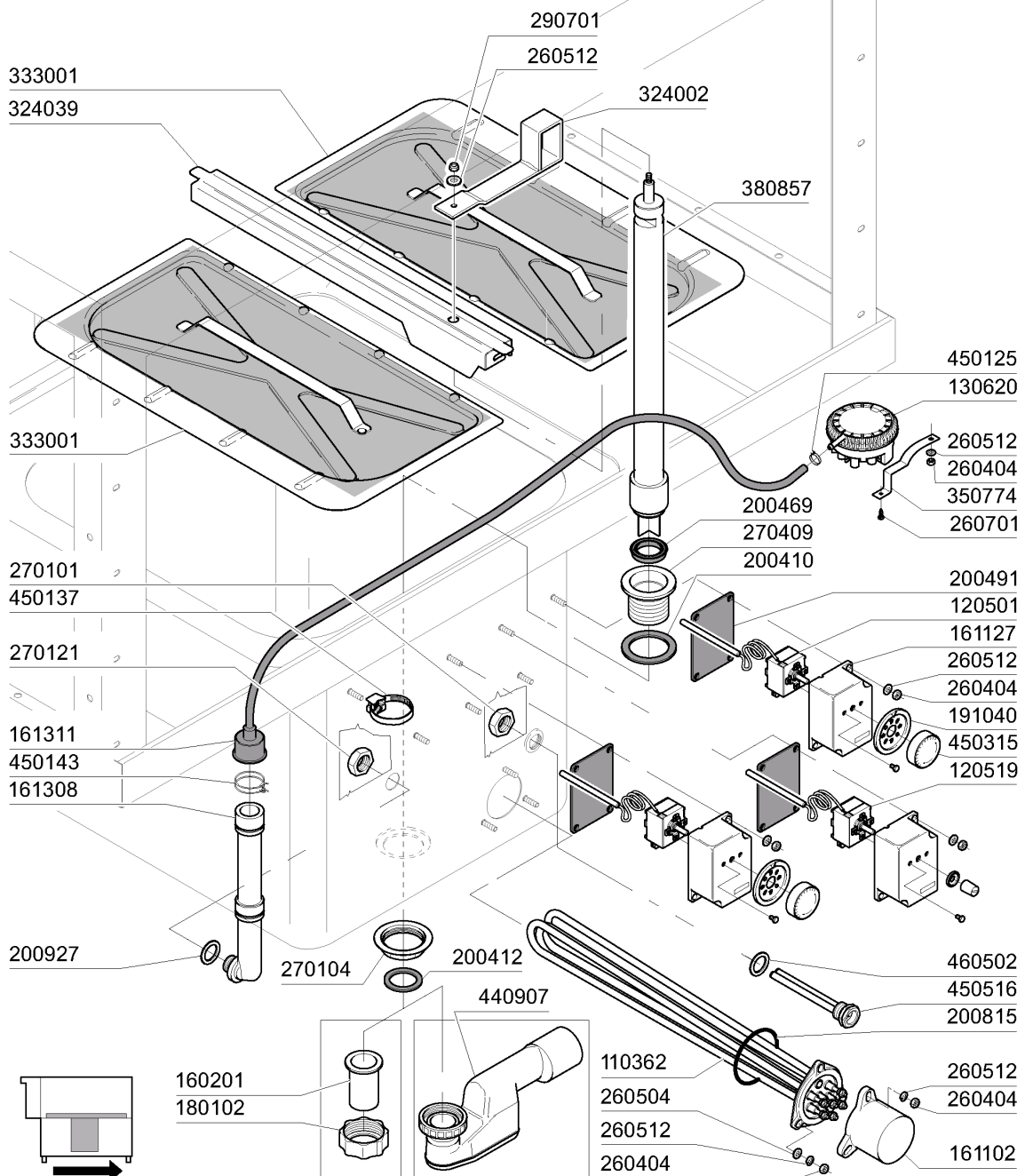
CODE	DESCRIPTION
120320	LIMIT SWITCH WITH LEVER
130453	EMERGENCY RED PUSH BUTTON
190906	CURTAIN IN/OUT 620X480
200402	SELF-ADHES.RUBB.SPONGE STRIPS
200478	SELF-ADHESIVE GASKET 65X4
260112	STAINLESS STEEL TE-SCREW 8X16
260143	SCREW
260205	SCREW TCP 4X16
260223	M5X12 MSH/HD SCREW SPECIAL S/S
260402	STAINLESS STEEL NUT D4 UNI 55
260412	SELF-LOCKING NUT M6
260416	STAINLESS STEEL NUTS M6
260510	GROWER WASHER D.4
260512	ST/ST GROWER WASHER D6
260530	STAINL.ST WASHER 7X22X2
260538	WASHER 18X6X1,5 ST/ST
260543	WASHER D.6 ST/ST
290701	HEXAGON BLIND NUTS GM H12
322317	TOP PANEL
322463	RACK GUIDE FOR PREWASH AC105
330715	UPPER BRACKET CURTAIN SNL-SE
331802	MICRO SWITCH BRACKET AC
331819	BRACKET FOR EMERGENCY PUSH BUT
332377	SQUADR.AGG.PANN.POST.AC/R/2001
332445	BRACKET
340422	SHAFT FOR CURTAIN AC-ACR
343536	HOOD
351823	FRONT PANEL ACS91/101
351907	PANN.LAT.LE SX AC COIBENTATE
351908	PANN.LAT.LE DX AC COIBENTATE
351941	BACK PANEL 400
351943	BACK PANEL 900



3 - Door 1300mm

CODE	DESCRIPTION
120342	DOR MAGNETIC SWITCH
160826	GASKET 14X6,2X2 B41-F2
190651	BUSH
190806	MAGNET HOUSING
210402	PAD FOR DOOR 15-149
210411	RIGHT PLUG FOR ACR/AC HANDLE
210412	LEFT PLUG FOR ACR/AC HANDLE
260223	M5X12 MSH/HD SCREW SPECIAL S/S
260235	SCREW
260238	M4 X 10 MUSH/HD SCREW
260250	SCREW TB 5X20
260307	SCREW TSP 3X20
260402	STAINLESS STEEL NUT D4 UNI 55
260415	STAINLESS STEEL SELF-LOCKING N
260416	STAINLESS STEEL NUTS M6
260423	SELF-LOCKING NUT M3
260501	STAINL.STEEL FLAT WASHER D3 UN
260504	ST/ST FLAT WASHER D6
260505	STAINL.STEEL FLAT WASHER D8
260510	GROWER WASHER D.4
260512	ST/ST GROWER WASHER D6
260538	WASHER 18X6X1,5 ST/ST
322992	DOOR AC-ACR 1300MM
323303	BRACKET FOR DOOR 1300
331061	DOOR HANDLE AC-ACR 1300MM
331430	BRACKET FOR DOOR SPRING
331755	HOOK FOR DOOR SUPPORT
341807	SUPPORTO INOX X MOLLA A NASTRO
342042	ALB.GRUPPO MOLLA DI BILANCIAM.
391331	SPRING ASSEMBLY KG. 5 MM 40
411002	PERMANENT MAGNET 24X12
451001	S/STEEL COTTER PIN D.2X24

4 - Wash Tank Components 1300mm



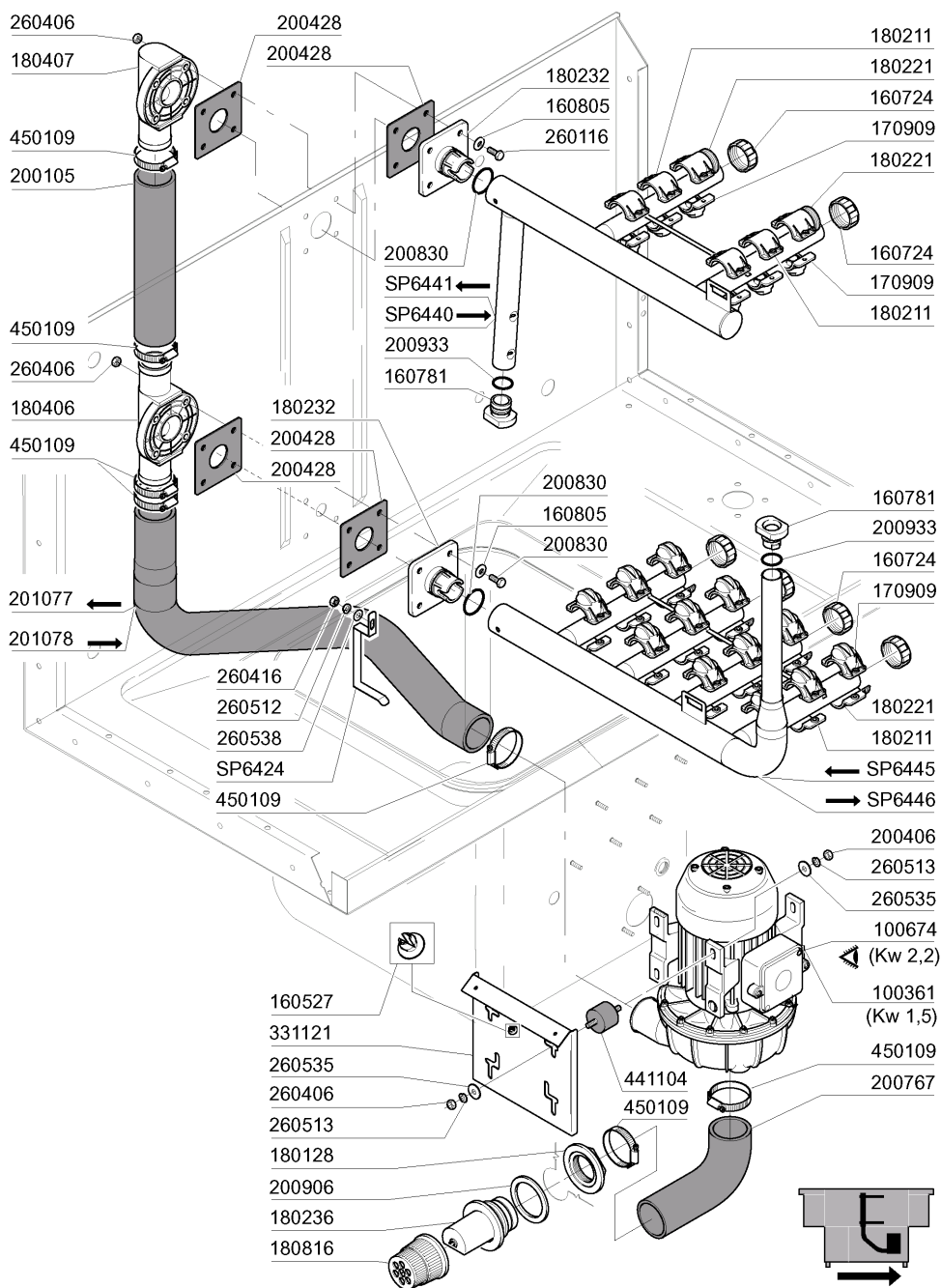
ed. 2005

01 - 2005 S. AG.

4 - Wash Tank Components 1300mm

CODE	DESCRIPTION
110362	HEAT.ELEMENT 9000W 220/380V
120501	THERMOSTAT 30/90°C
120519	SECURITY THERMOSTAT 95-125°C
130620	PRESSURE SWITCH 3 LEVEL 50-30/
160201	ELBOW F.TANK INLET MOPLN
161102	ELEMENT COVER MOPL.
161127	BOX FOR THERMOSTAT
161308	AIR CHAMBER C95-155
161311	HOSE FOR AIR CHAMBER BC-BR-AC9
180102	DRAIN PIPE NUT 1"1/2 F45-55
191040	FRAME F.THERMOSTAT KNOB
200410	DRAIN OUTL.WASH.1 1/2"65X47X2
200412	GASKET DRAIN 1 1/2" 45X33X3
200469	STAND PIPE O RING 45X35,5X7
200491	BACK GASKET OF THERMOSTAT BOX
200815	O-RING F. HEAT.ELEM.
200927	GASKET FOR AIR TRAP
260404	STAINLESS STEEL NUTS D6 UNI 55
260504	ST/ST FLAT WASHER D6
260512	ST/ST GROWER WASHER D6
260701	SCREW 3,5X9,5
270101	HEXAGON LOCK NUT 1/2"
270104	LOCK NUT 1" 1/2
270121	NUT FOR AIR TRAP
270409	DRAIN OUTLET AC-ACR
290701	HEXAGON BLIND NUTS GM H12
324002	OVERFLOW PIPE LEVER ACS
324039	FILTER GUIDE 900/1300 ACS
333001	STRAINER 900 ACS
350774	BRACKET
380857	OVERFLOW PIPE FOR WASH TANK
440907	SIPHON 1"1/2
450125	ELASTIC CLAMP D. 10,4X9,8
450137	COLLAR CONNECTION WITH BASE 31
450143	CLAMP D.39,7 X 37,7
450315	KNOB F. THERMOSTAT 90°C
450516	THERMOSTAT SHIELD FOR 2 TERMOS
460502	GASKET 30X21X2

5 - Wash column

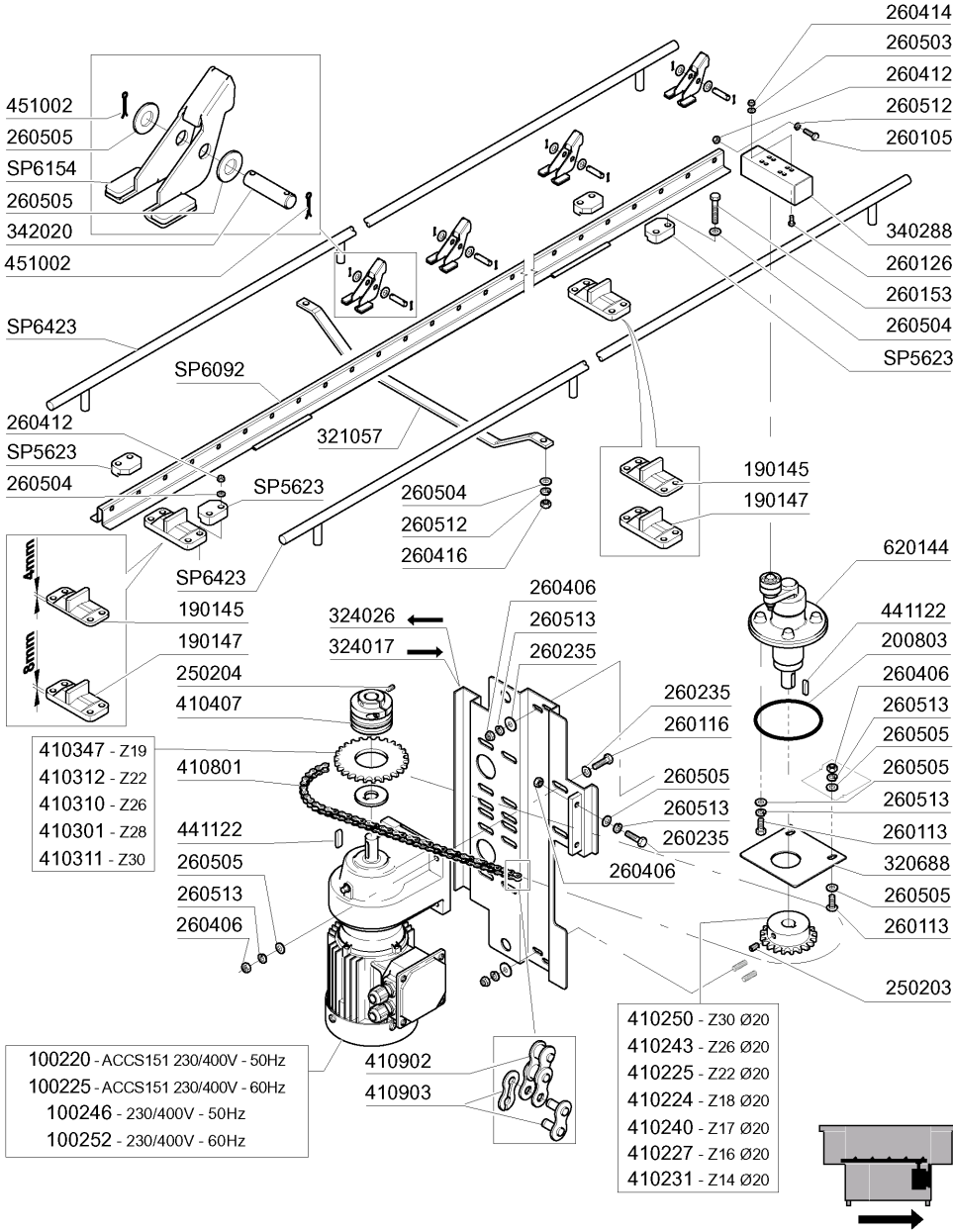


03 - 2010 M. S.

5 - Wash column

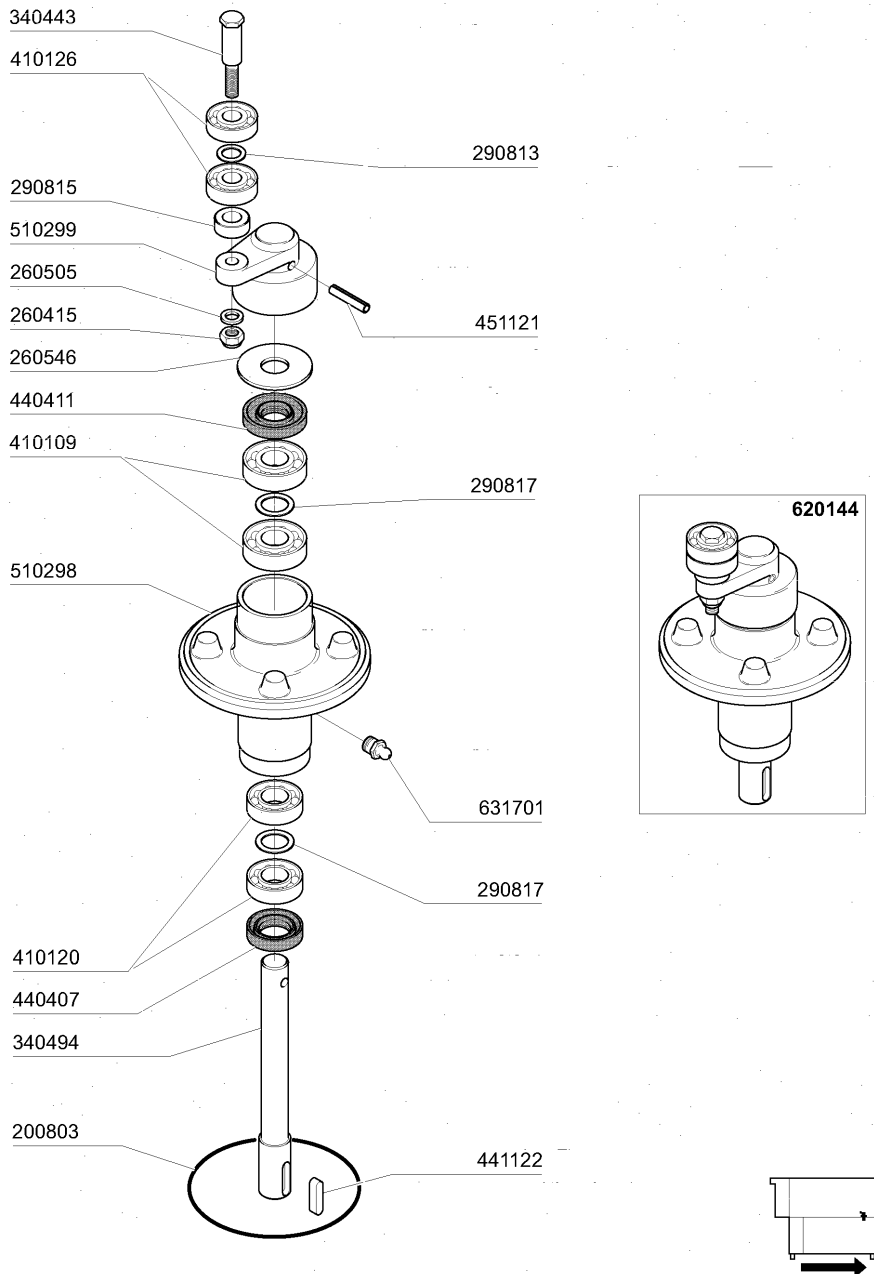
CODE	DESCRIPTION
100361	PUMP HP 2-220/380-50HZ-120404
100674	PUMP HP 3 V.220-415-50HZ-1205
160527	PLUG 14,5X2X8
160724	PLUG F. WASH ARM S90
160781	PLUG FOR COLLECTOR NEW AC
160805	GASKET D.8
170909	TRANSVERS. WASH NOZZLE
180128	RING NUT 65,4 C140 C85
180211	COUNTERFLANGE - WASH JET S-N
180221	COUNTERFLANGE F.WASH ARMS PLUG
180232	WASH ARM FLANGE SNL
180236	PUMP SUCTION FOR AC-ACR-C155
180406	T-CONNECTOR F. WASHING S90-SNL
180407	ELBOW S90 S N L
180816	STRAINER OF INLET PUMP AC-ACR
200105	RUBBER HOSE 50X60
200406	GASKET 130X70X2 IN NEOTEN
200428	GASKET 100X100X3 NEOTEN
200767	OUTLET HOSE WASH ACR
200830	O-RING 37,3X44,5X3,6
200906	GASKET D.92X66X2
200933	OR 24/32/4 FOR PLUG COLLECTOR
201077	DELIVERY HOSE
201078	OUTLET HOSE
260116	SCREW TE 8X35
260406	NUT 8MA
260416	STAINLESS STEEL NUTS M6
260512	ST/ST GROWER WASHER D6
260513	GROWER WASHER D8
260535	STAINL.ST WASHER 24X8,5X2
260538	WASHER 18X6X1,5 ST/ST
331121	FIXING PLATE FOR PUMP ACR
441104	VIBRATION-DAMPING FEET FOR ACR
450109	CLAMP 50-65
SP6424	TRAVERSA SOST COLLETTORE PRELA
SP6440	COLLETTORE SUP ACC DX MONTATO
SP6441	COLLETTORE SUP ACC SX MONTATO
SP6445	COLLETTORE INFER DX ACC MONTAT
SP6446	COLLETTORE INFER SX ACC MONTAT

6 - Drive unit



6 - Drive unit

CODE	DESCRIPTION
100220	DRIVE MOTOR KW0,12-220/380V/50
100225	DRIVE MOTOR KW 0,12-220/380V-6
100246	DRIVE KW 0,1-0,15 380/3
100252	DRIVE MOTOR 0,1-0,15KW 380/60
190145	SUPPORT F.PAWL BAR GUIDE AC
190147	SUPPORT
200803	OR GASKET 3,53X98,02X105,08
250203	GRUB SCREW 8X12
250204	GRUB SCREW 6X6
260105	SCREW TE 6X20
260113	STAINL.ST.TE SCREW 8X20 A2 UNI
260116	SCREW TE 8X35
260126	SCREW TE 5X12
260153	SCREW TE 6X35
260235	SCREW
260406	NUT 8MA
260412	SELF-LOCKING NUT M6
260414	SELF-LOCKING NUT M5
260416	STAINLESS STEEL NUTS M6
260503	STAINL.STEEL FLAT WASHER D5 UN
260504	ST/ST FLAT WASHER D6
260505	STAINL.STEEL FLAT WASHER D8
260512	ST/ST GROWER WASHER D6
260513	GROWER WASHER D8
320688	SUPPORT FOR S/AC WASHARM
321057	LOWER WASH ARM SUPPORT
324017	PIASTRA SUPP.MOTORID.ACS D-S
324026	SUPPORT
340288	CHANNEL F.DRIVE BEARING S3Ø-SE
342020	PIN
410224	TURNED PINION Z18-1/2"-D.20
410225	TURNED PINION Z22-1/2"-D.20
410227	TURNED PINION Z16-1/2"-D.20
410231	TURNED PINION Z14 1/2"-D.20
410240	TURNED PINION Z17-1/2"-D.20
410243	TURNED PINION Z26-1/2"-D.20
410250	TURNED PINION Z30 1/2" D.20
410301	CROWN DISCS 28T PITCH 1/2"
410310	CROWN Z 26 1/2"
410311	CROWN DISCS 30T 1/2"
410312	CROWN DISCS 22T
410347	CROWN DISCS 19T 1/2PITCH
410407	TORQUE LIMITER LC 1
410801	DRIVE CHAIN 1/2" N-S
410902	FALSE CHAIN LINK 1/2"
410903	CHAIN JOINT 1/2"
441122	DRIVE SHAFT KEY 6X6X25 UNI 660
451002	COTTER PIN STAINL.ST. D2X12
620144	DRIVE ASSEMBLY
SP5623	FERMO X SUPP. GUIDA LAVACESTE
SP6092	RAIL
SP6154	SALT.LAVACESTE (FORN.EFFEBI)
SP6423	SOSTEGNO CESTE

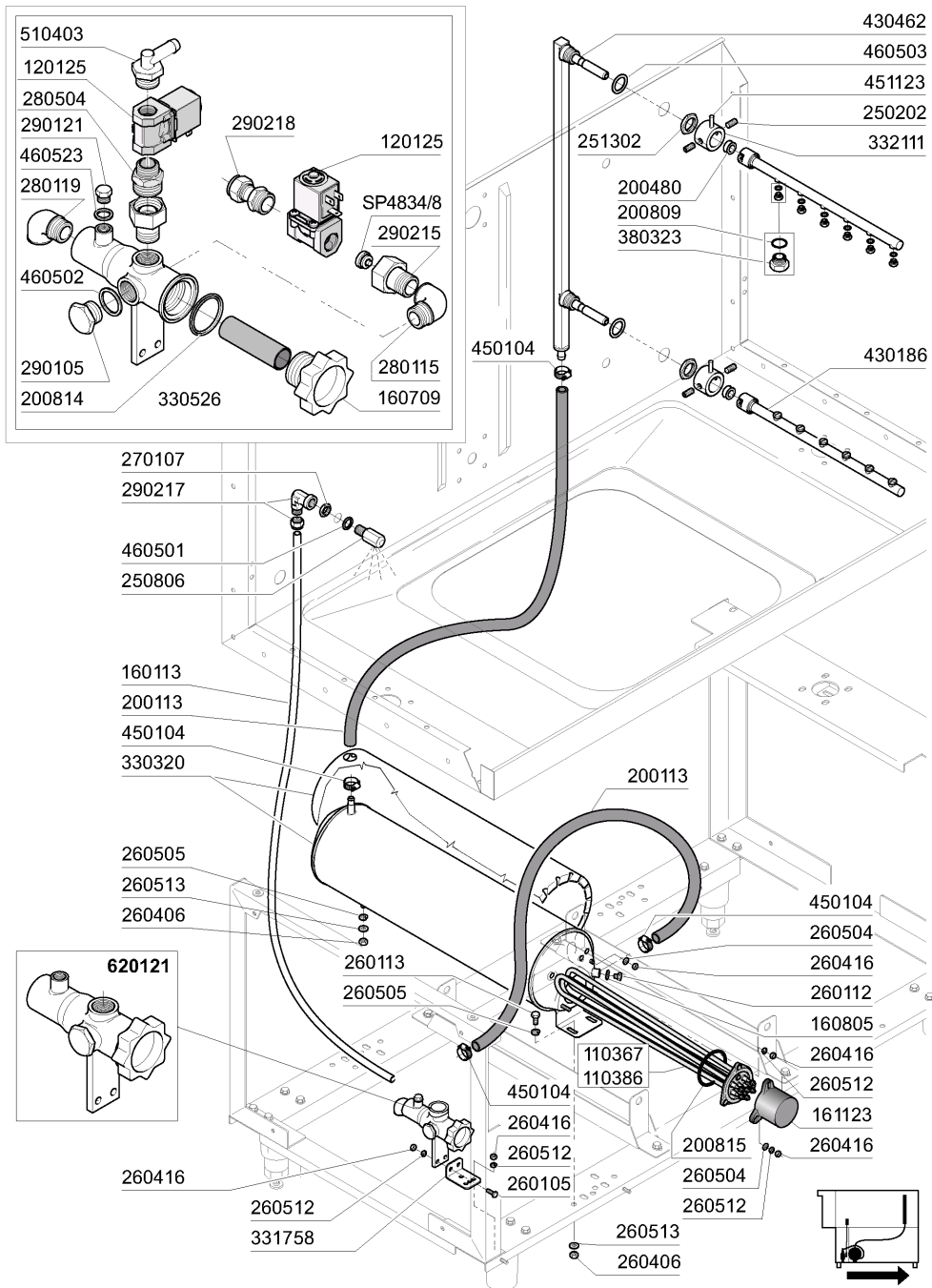


01 - 2005 S. AG.

7 - Drive unit

CODE	DESCRIPTION
200803	OR GASKET 3,53X98,02X105,08
260415	STAINLESS STEEL SELF-LOCKING N
260505	STAINL.STEEL FLAT WASHER D8
260546	SLIDING WASHER STAINLESS STEEL
290813	PACKING PIECES BRASS S-F2
290815	DISTANCE PIECE S3Ø BRASS
290817	BRASS DISTANCE PIECE 24X14
340443	CRANK SHOULDER PIN
340494	DRIVE SHAFT S 3Ø
410109	BEARINGS 17X40X12 6203
410120	BALL BEARING 17X35X10
410126	BEARING 6201-2RS Z15
440407	SEAL MIM 20X35X7
440411	SEAL 17X40X7
441122	DRIVE SHAFT KEY 6X6X25 UNI 660
451121	ELAST.ROLL PINS 6X30
510298	DRIVE HOUSING S 3Ø
510299	NICKELPLATED BRASS DRIVE CRANK
620144	DRIVE ASSEMBLY
631701	GREASE NIPPLE 9003

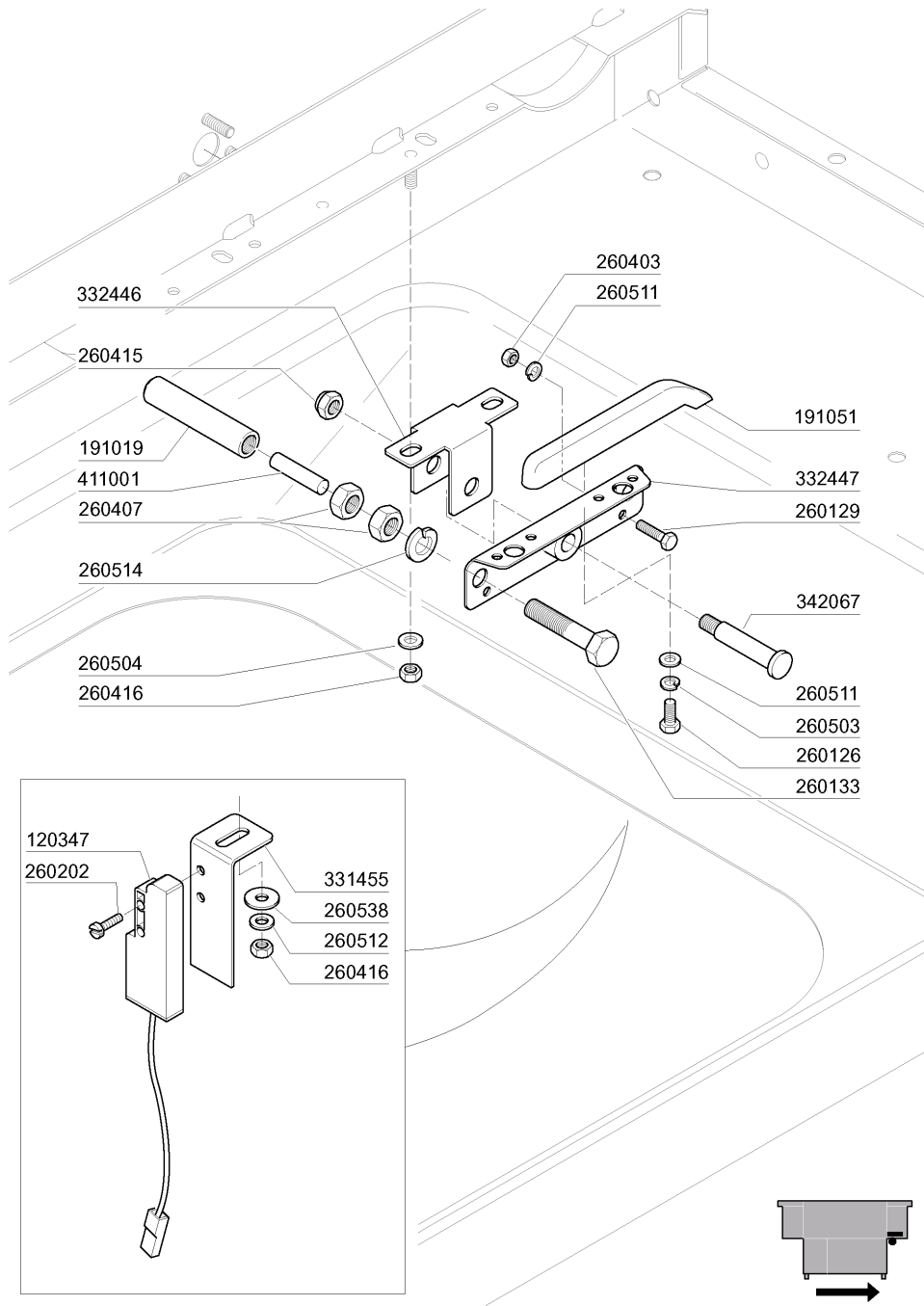
8 - RINSE ASSEMBLY / BOILER WITH 1 HEATING ELEMENT



03 - 2010 M.S.A.

8 - RINSE ASSEMBLY / BOILER WITH 1 HEATING ELEMENT

CODE	DESCRIPTION
110367	HEAT.ELEMENT 12500W 230/400V
110386	HEAT.ELEMENT14KW 230/400V
120125	SOLEN.VALVE L140Z610A 1/2F 24V
160113	TUBE IN POL. RETIC. 12 EST
160709	KNOB OF MANIFOLD F. SOLEN. VAL
160805	GASKET D.8
161123	HEAT.ELEMENT COVER H42 SNL
200113	RUBBER HOSE 12 X 22
200480	GASKET F. RINSE CONNECT.
200809	OR GASKET 1,78X8,73X12,29
200814	O-RING 34,52X41,58X3,53
200815	O-RING F. HEAT.ELEM.
250202	STAINL.ST GRUB 5X8 UNI 5927
250806	TANK FILL HOSE CLAMP - AC/ACR
251302	S/S LOCK NUT 3/4" AC-ACR
260105	SCREW TE 6X20
260112	STAINLESS STEEL TE-SCREW 8X16
260113	STAINL.ST.TE SCREW 8X20 A2 UNI
260406	NUT 8MA
260416	STAINLESS STEEL NUTS M6
260504	ST/ST FLAT WASHER D6
260505	STAINL.STEEL FLAT WASHER D8
260512	ST/ST GROWER WASHER D6
260513	GROWER WASHER D8
270107	BRASS LOCK NUT 3/8" FL803
280115	ELL 1/2"
280119	ELL MF 3/4"
280504	MANIFOLD CONN.HOSE
290105	BRASS-TE-PLUG 1/2"
290121	BRASS PLUG 1/8"
290215	1/2"BSP M/F UNION BRASS
290217	HOSE CLAMP ELBOW 12X3/8" TYPE
290218	NIPPLE 12X1/2"
330320	INSULATED BOILER D.1 164X650 S
330526	FILTERS 22X28 SOLENOID V.MANIF
331758	BRACKET F.SOLEN.VALV SE
332111	BUSH
380323	RINSE JETS 37.5 80Ø OV 1/8
430186	ECORINSE ARM AC
430462	COL.RISC.AC (430472)
450104	CLAMP FE ZN H=12,5 15-24
451123	ELASTIC PIN 4X16
460501	GASKET 24X17X2
460502	GASKET 30X21X2
460503	SEALING WASHER 38X27X2(3/4)
460523	GASKET 10X18X2
510403	CONNECT.HOSE 90Ø1/2"X12
620121	TWIN SOLENOID VALVE MANIFOLD
SP4834/8	SOLENOID VALVE REGULATOR

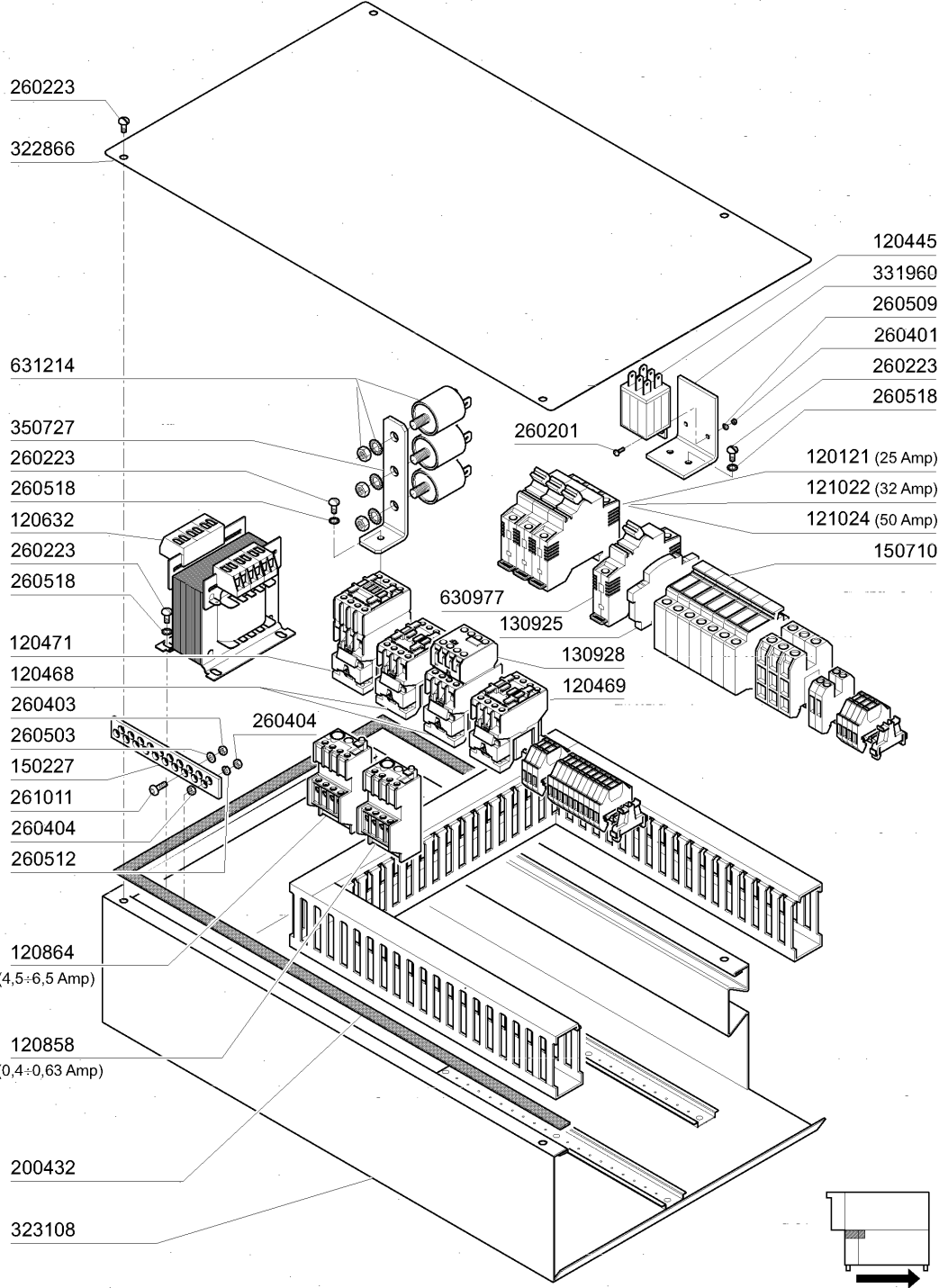


03 - 2010 M. S.

9 - Economiser

CODE	DESCRIPTION
120347	REED (NC)
191019	MAGNET HOUSING S90 MOPL.-S.N.L
191051	SLIDING PAD SE SNL ECONOMIZER
260126	SCREW TE 5X12
260129	SCREW TE M 5X20
260133	SCREW 10X55
260202	SCREW TCP 3X16
260403	NUTS D.5
260407	STAINLESS STEEL NUTS D10 UNI 5
260415	STAINLESS STEEL SELF-LOCKING N
260416	STAINLESS STEEL NUTS M6
260503	STAINL.STEEL FLAT WASHER D5 UN
260504	ST/ST FLAT WASHER D6
260511	GROWER WASHER D.5
260512	ST/ST GROWER WASHER D6
260514	GROWER WASHER D.10
260538	WASHER 18X6X1,5 ST/ST
331455	BRACKET FOR RINSE MICROSWITCH
332446	BRACKET
332447	ECONOMISER LEVEL
342067	PIN FOR ECONOMISER
411001	PERMANENT MAGNET 8X40

10 - Control Box ACS91-ACS101

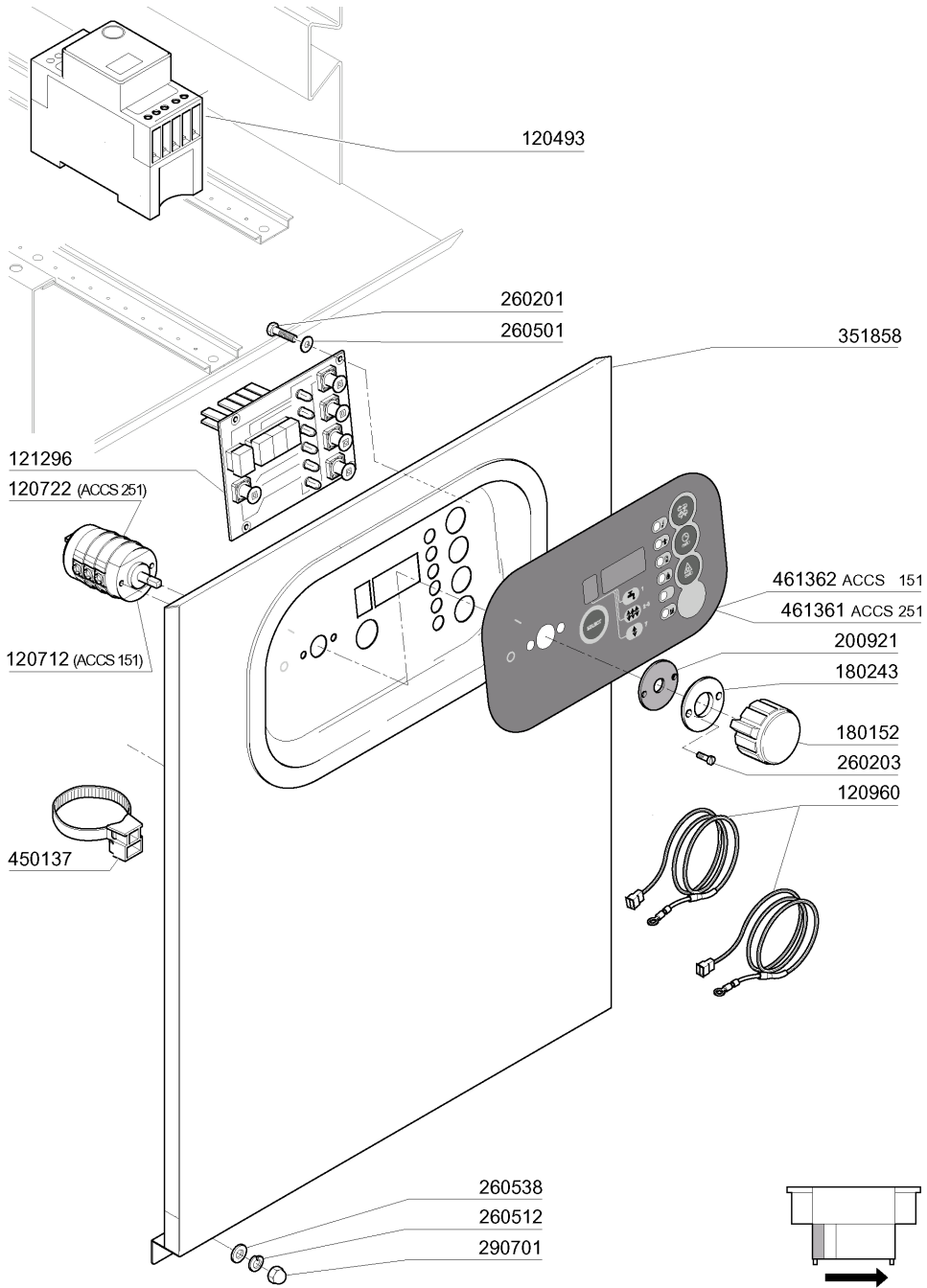


01 - 2005 S. AG.

10 - Control Box ACS91-ACS101

CODE	DESCRIPTION
120121	SOLENOID VALVE
120445	AUXILIARY RELAY S.B2/3 24V
120468	CONTACTOR ABB 9A 24V 50/60HZ
120469	CONTACTOR ABB 12A 24V 50/60HZ
120471	CONTACTOR ABB 26A 24V 50/60HZ
120632	TRANSFORMER 250VA220-240-380-4
120858	OVERLOAD RELAY ABB 0,4-0,63A
120864	OVERLOAD RELAY ABB 4,5-6,5A
121022	CIRCUIT BREAKER 32A
121024	CIRCUIT BREAKER 50A
130925	CONTACT FOR CIRCUIT BREAKER
130928	CONTACT ABB 4NO
150227	BRACKET
150710	FUSE CARRIER 10,3X38 ART.21401
200432	SPONGY RUBBER ADHESIV 8X4 NEOP
260201	SCREW TCP 3X10
260223	M5X12 MSH/HD SCREW SPECIAL S/S
260401	NUT 3MA
260403	NUTS D.5
260404	STAINLESS STEEL NUTS D6 UNI 55
260503	STAINL.STEEL FLAT WASHER D5 UN
260509	GROWER WASHER D.3
260512	ST/ST GROWER WASHER D6
260518	FLAT WASHER
261011	SCREW M5
322866	COVER
323108	SUPPORTO IMP.ELET.ACS91-ACS101
331960	BRACKET
350727	BRACKET
630977	COIL FOR CIRCUIT BREAKER 24V
631214	ANTI-NOISE FILTER 4011135007 3

11 - Control panel

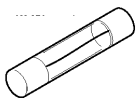
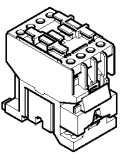
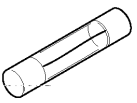
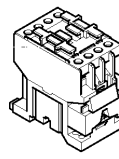


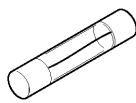
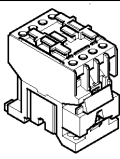
03 - 2010 M. S.

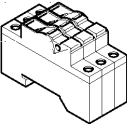
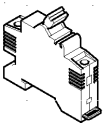
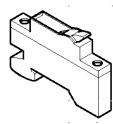
11 - Control panel

CODE	DESCRIPTION
120493	RELAY 130180240000
120712	2-POLES SWITCH 16AMP
120722	6 POLE SWITVH 2 POSITIONS
120960	PROBE C-G
121296	ELECTRONIC CONTROL PANEL
180152	KNOB
180243	FLANGE
200921	GASKET
260201	SCREW TCP 3X10
260203	SCREW 3,5X10
260501	STAINL.STEEL FLAT WASHER D3 UN
260512	ST/ST GROWER WASHER D6
260538	WASHER 18X6X1,5 ST/ST
290701	HEXAGON BLIND NUTS GM H12
351858	PANN.COMANDI ACS91/101 T.ELET.
450137	COLLAR CONNECTION WITH BASE 31
461361	PLATE ACS101-242 DIGIT
461362	FRONT PANEL ACS91 DIGIT

12 - Electrical parts for heatings elements

	220/240 V				380/415 V			
								
KW	A	Fusibili Fusible Fuse Schmelzsicherung Fusible	A	Teleruttore Contacteur Contactor Schalterschütz Contactor	A	Fusibili Fusible Fuse Schmelzsicherung Fusible	A	Teleruttore Contacteur Contactor Schalterschütz Contactor
9	32	130237	26	120471	20	130248	12	120469
12,5	40	130238	30	120472	25	130236	26	120471
14	40	130238	30	120472	32	130237	26	120471
16	50	130257	40	120473	32	130237	30	120472
18	63	130239	40	120473	40	130237	30	120472
20	63	130239	50	120474	40	130237	30	120472

	Asciugatura - Sechage - Dryer - Trocknung - Secado							
	220/240 V				380/415 V			
								
	KW	A	Fusibili Fusible Fuse Schmelzsicherung Fusible	A	Teleruttore Contacteur Contactor Schalterschütz Contactor	A	Fusibili Fusible Fuse Schmelzsicherung Fusible	A
4,5	12	130236	9	120468	10	130269	9	120468
6	20	130248	12	120469	12	130248	9	120468

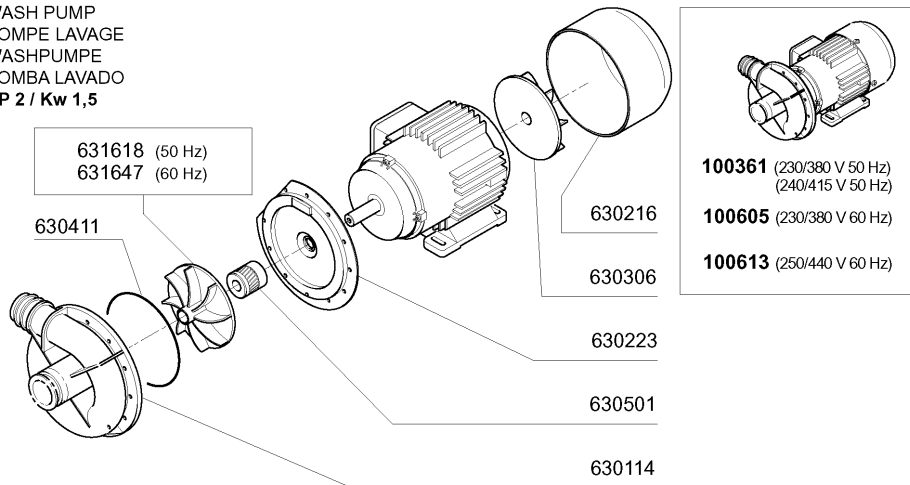
A			
	Magnetotermico resistenza Magneto-thermique resistance Thermo-magnetic switch for heater Thermo-magnetischer schalter F. Heizkörper Magneto-termico resistencia	Bobina di sgancio V.24 per Boiler Bobine décrochage V.24 pour Surchauffeur Disconnecting coil V.24 for boiler Auslösespüle V. 24 für boiler Bobina desembrague V. 24 por boiler	Contatto per bobina di sgancio Contact pour bobine décrochage Contact for disconnecting coil Kontakt für auslösespüle Contacto por bobina desembrague
20	121020	630977	130925
25	121021	630977	130925
32	121022	630977	130925
40	121023	630977	130925
50	121024	630977	130925
63	121025	630977	130925
80	121026	630978	130940

01 - 2005 S. AG.

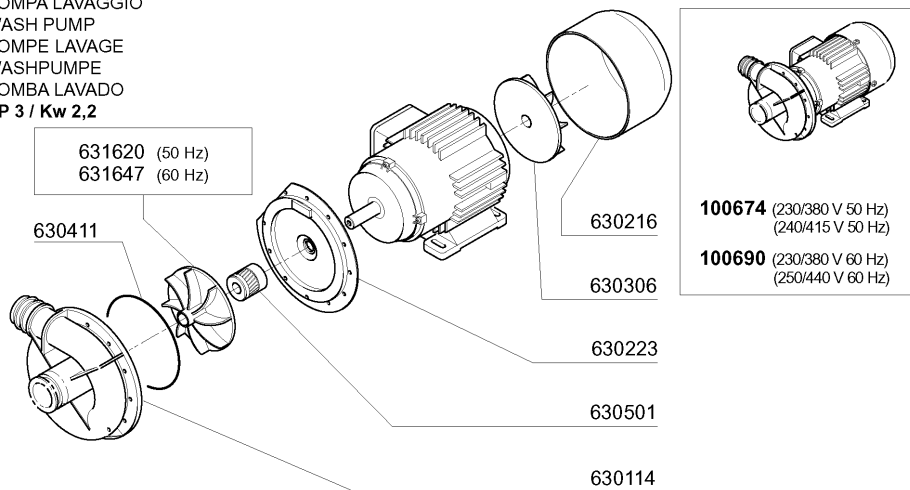
12 - Electrical parts for heatings elements

CODE	DESCRIPTION
120468	CONTACTOR ABB 9A 24V 50/60HZ
120469	CONTACTOR ABB 12A 24V 50/60HZ
120471	CONTACTOR ABB 26A 24V 50/60HZ
120472	CONTACTOR ABB 24V 50/60HZ
120473	CONTACTOR ABB 24V 50/60HZ
120474	CONTACTOR ABB 50A 24V 50/60HZ
121020	CIRCUIT BREAKER 20A
121021	CIRCUIT BREAKER 25A
121022	CIRCUIT BREAKER 32A
121023	CIRCUIT BREAKER 40A
121024	CIRCUIT BREAKER 50A
121025	CIRCUIT BREAKER 63A
121026	MAGN.SWITCH 80A
130236	FUSE 14X51 25A GF14325
130237	FUSE 14X51 32A GL14332
130238	FUSE 14X51 40A GF 14340
130239	FUSE 22X58 63A GF15363
130248	FUSE 20A-10,3X38 13320 G.F.
130257	FUSE 50A 14X51 GF14350
130269	FUSE GG 10,3X38 10A
130925	CONTACT FOR CIRCUIT BREAKER
130940	AUXILIARY CONTACT ABB
630977	COIL FOR CIRCUIT BREAKER 24V
630978	COIL FOR CIRCUIT BREAKER 80A

POMPA LAVAGGIO
WASH PUMP
POMPE LAVAGE
WASHPUMPE
BOMBA LAVADO
HP 2 / Kw 1,5



POMPA LAVAGGIO
WASH PUMP
POMPE LAVAGE
WASHPUMPE
BOMBA LAVADO
HP 3 / Kw 2,2




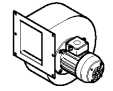
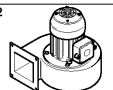
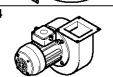
Componenti elettrici pompe - Composants electriques pompes - Electrical parts for pumps
Elektrische teile für pompe - Piezos electricos para bombas


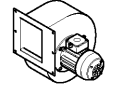
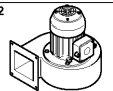
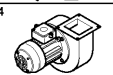
		220/240 V						380/415 V					
Pompa	Fusibili	Teleruttore		Termica		Fusibili		Teleruttore		Termica			
Pompe	Fusible	Contacteur		Termique		Fusible		Contacteur		Termique			
Pump	Fuse	Contactor		Overload relay		Fuse		Contactor		Overload relay			
Bomba	Schmelzsicherung	Schalterschütz		Termoausöser		Schmelzsicherung		Schalterschütz		Termoausöser			
	Fusible	Contactor		Termico		Fusible		Contactor		Termico			
Hp	Kw	A	cod.	A	cod.	A	cod.	A	cod.	A	cod.		
2	1,5	8	130232	9	120468	6÷8,5	120865	6	130231	9	120468	4,5÷6,5	120864
3	2,2	12	130234	9	120468	7,5÷11	120866	6	130231	9	120468	4,5÷6,5	120864

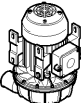
03 - 2010 M. S.

13 - Pump

CODE	DESCRIPTION
100361	PUMP HP 2-220/380-50HZ-120404
100605	PUMP HP 2 380/3/60HZ 1204
100613	PUMP HP 2 440/3/60HZ 1204
100674	PUMP HP 3 V.220-415-50HZ-1205
100690	PUMP 2,7HP 220/380 60HZ 1205
120468	CONTACTOR ABB 9A 24V 50/60HZ
120864	OVERLOAD RELAY ABB 4,5-6,5A
120865	OVERLOAD RELAY ABB 6-8,5A
120866	OVERLOAD RELAY ABB 7,5-11A
130231	FUSE 10,3X38 6A AM13006
130232	FUSE 10.3X38 8A AM13008
130234	FUSE 10.3X38 12A AM13012
630114	VOLUTE FI HP2-2,7-3-3,2
630216	FAN HOUSING FIR HP 2-3
630223	BACK PLATE PUMP HP2-3-3,2
630306	PUMP FAN IMPELLOR FI HP.2-3
630411	O-RING PUMP FI HP 2-2,7
630501	SEAL FOR PUMP HP 2-3-3,2
631618	IMPELLER PUMP F HP2-D.116,5
631620	IMPELLER HP 3-3,2 1205-43
631647	IMPELLER D.100-60HZ-1204/5

220/240 V 3 ~							
	KW	Teleruttore Contacteur Contactor Schaltschütz Contactor	A	Termica Termique Overload relay Termoausöser Termico	A	Fusibili Fusible Fuse Schmelzsicherung Fusible	A
M1 	0,12 0,15	120468	9		1÷1,6	130260	2
M7 	0,75	120468	9	120863	2,8÷4	130230	4
M12  M8	0,55	120468	9	120863	2,8÷4	130230	4
M14 	0,09	120468	9			130259	1

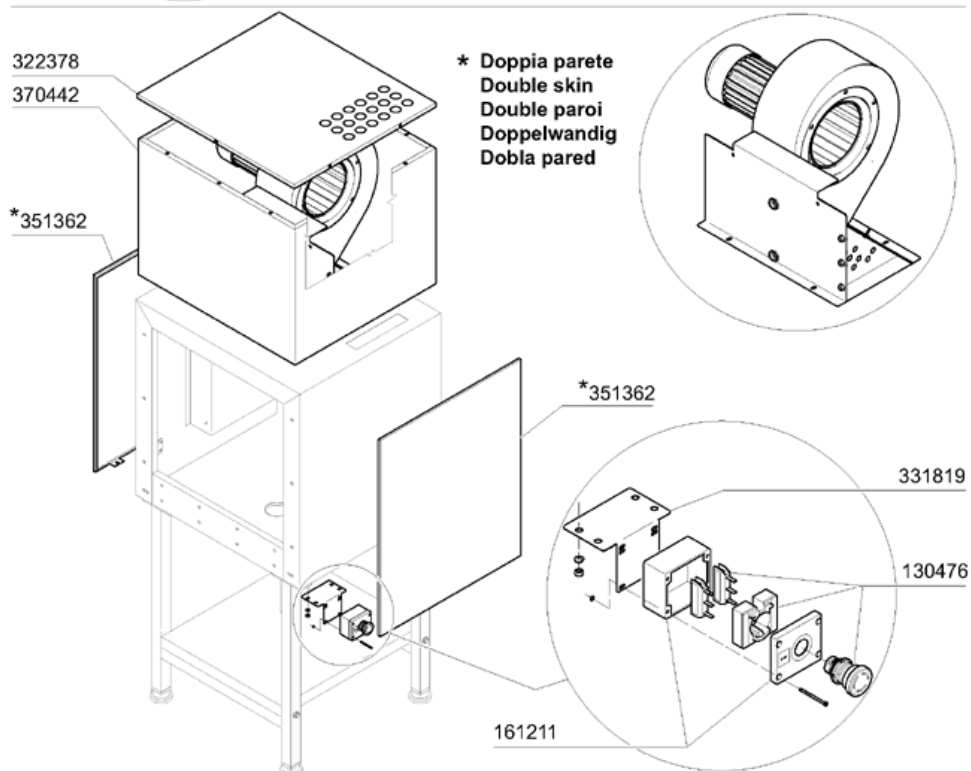
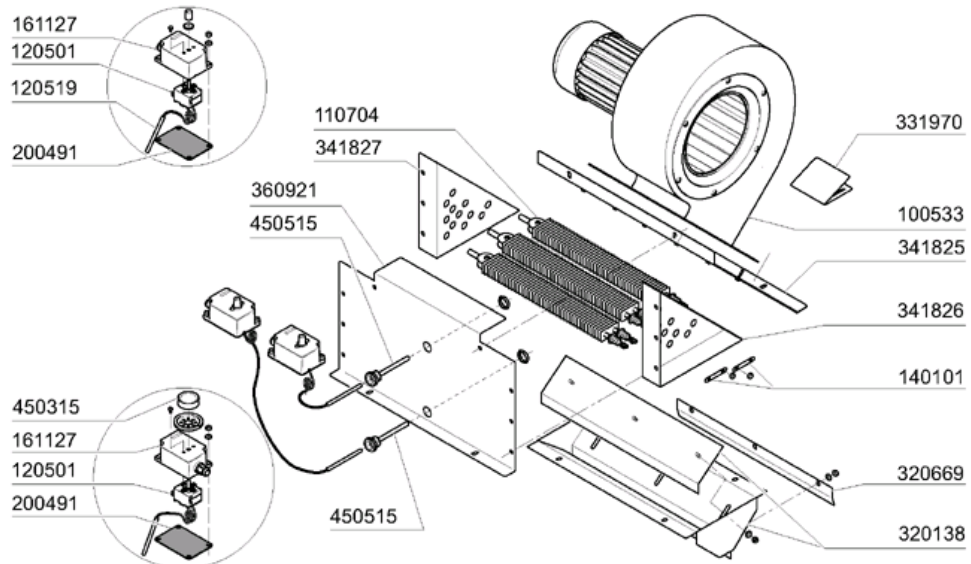
380/415 V 3 ~							
	KW	Teleruttore Contacteur Contactor Schaltschütz Contactor	A	Termica Termique Overload relay Termoausöser Termico	A	Fusibili Fusible Fuse Schmelzsicherung Fusible	A
M1 	0,12 0,15	120468	9	120858 120859	0,4÷0,63 0,63÷1	130260	2
M7 	0,75	120468	9	120862	1,7÷2,4	130230	4
M12  M8	0,55	120468	9	120860	1÷1,4	130260	2
M14 	0,09	120468	9			130259	1

		220/240 V 3 ~				380/415 V 3 ~							
		Fusibili Fusible Fuse Schmelzsicherung Fusible		Teleruttore Contacteur Contactor Schaltschütz Contactor		Termica Termique Overload relay Termoausöser Termico		Fusibili Fusible Fuse Schmelzsicherung Fusible		Teleruttore Contacteur Contactor Schaltschütz Contactor		Termica Termique Overload relay Termoausöser Termico	
Hp	Kw	A	cod.	A	cod.	A	cod.	A	cod.	A	cod.	A	cod.
0,2	0,15	4	130230	9	120468	1,00÷1,4	120860	2	130260	9	120468	0,4÷0,63	120858
1,5	1,1	8	130232	9	120468	4,5÷6,5	120864	4	130230	9	120468	2,8÷4	120863
2	1,5	8	130232	9	120468	6÷8,5	120865	6	130231	9	120468	4,5÷6,5	120864
3	2,2	12	130234	9	120468	7,5÷11	120866	6	130231	9	120468	4,5÷6,5	120864

01 - 2005 S. AG.

14 - Motors

CODE	DESCRIPTION
120468	CONTACTOR ABB 9A 24V 50/60HZ
120858	OVERLOAD RELAY ABB 0,4-0,63A
120859	OVERLOAD RELAY ABB 0,63-1A
120860	OVERLOAD RELAY ABB 1-1,4A
120862	OVERLOAD RELAY ABB 1,7-2,4A
120863	OVERLOAD RELAY ABB 2,8-4A
120864	OVERLOAD RELAY ABB 4,5-6,5A
120865	OVERLOAD RELAY ABB 6-8,5A
120866	OVERLOAD RELAY ABB 7,5-11A
130230	FUSE 10,3X38 4A AM13004
130231	FUSE 10,3X38 6A AM13006
130232	FUSE 10,3X38 8A AM13008
130234	FUSE 10,3X38 12A AM13012
130259	FUSE 10,3X38 1A AM 13095
130260	FUSE 10,3X38 2A AM 13001



15 - Blower Dryer

CODE	DESCRIPTION
100533	FAN HP 1 220-240-380-415V VRP2
110704	HEAT.ELEMENT/DRYING 1000W 220V
120501	THERMOSTAT 30/90ØC
120519	SECURITY THERMOSTAT 95-125Ø
130476	ROTATIVE EMERGENCY SWITCH
140101	BRASS CONNECT. PLATE HEAT.ELEM
161127	BOX FOR THERMOSTAT
161211	BOX
200491	BACK GASKET OF THERMOSTAT BOX
320138	DEFLECTOR F. DRYER
320669	FIXING PLATE
322378	COVER
331819	BRACKET FOR EMERGENCY PUSH BUT
331970	FAN SUPPORT
341825	DRYER FAN SUPPORT
341826	RIGHT SUPPORT
341827	LEFT SUPPORT
351362	INSULATED PANEL
360921	BACK PANEL FOR DRYER 3-4,5KW
370442	HOOD
450315	KNOB F. THERMOSTAT 90Ø
450515	STAINL.ST.SHIELD FOR 1 THERMOS

16 - Heat Recovery Unit Compact

CODE	DESCRIPTION
100550	FAN FOR HEAT RECOVERY UNIT
120131	SOLEN. L182Q31-ZB10A 1/2"24V
120141	SOLEN.VALVE METAL.328000 D.1/2
190328	DRAIN 3/4"
322377	COVER
322845	COVER
322846	COVER
322848	COVER
370436	HOOD
400817	BATTERY FOR STEAM CONDENSER +
620535	VACUUM BREAKER
631303	HYDRAULIC AIR VESSEL FOR HEAT